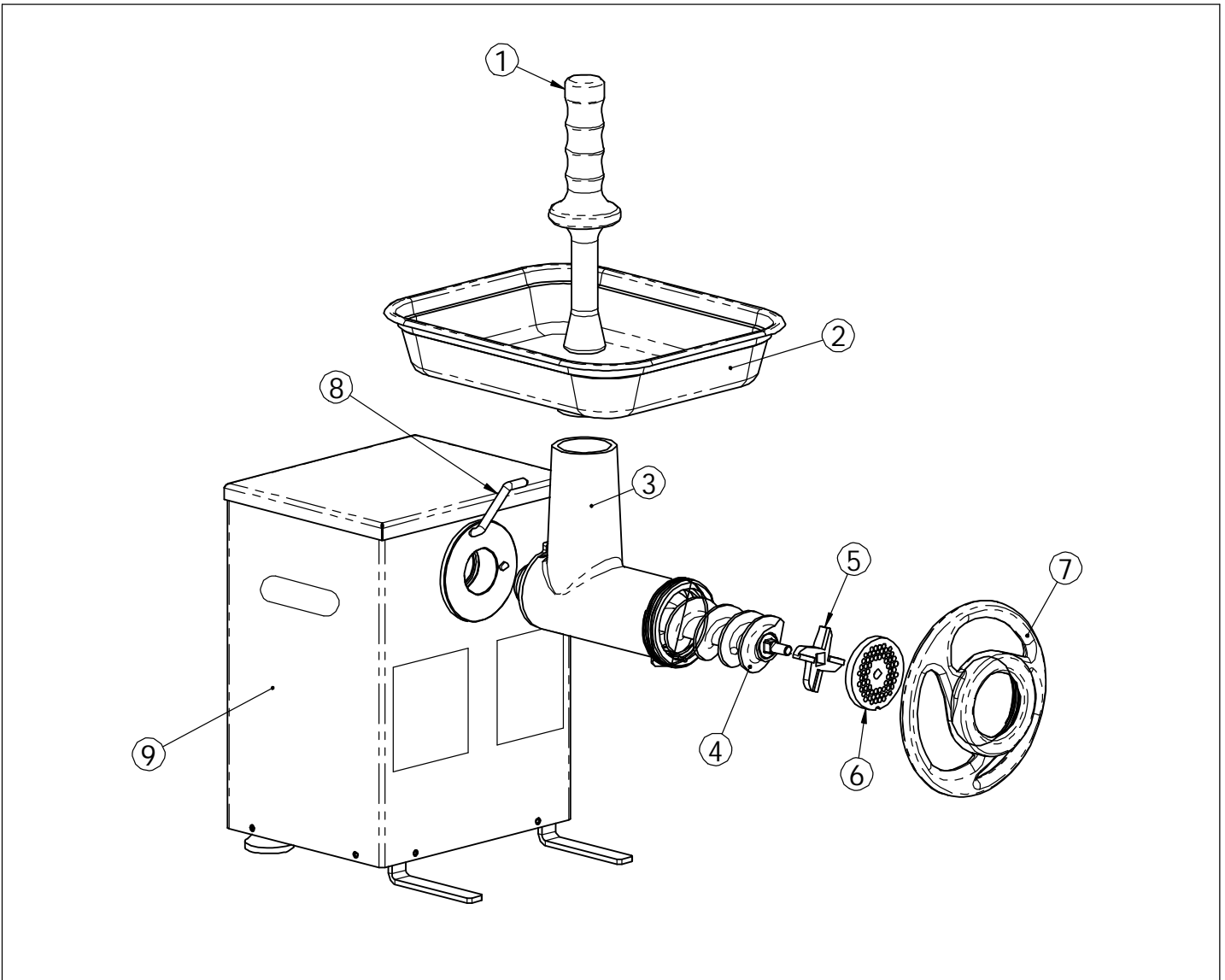
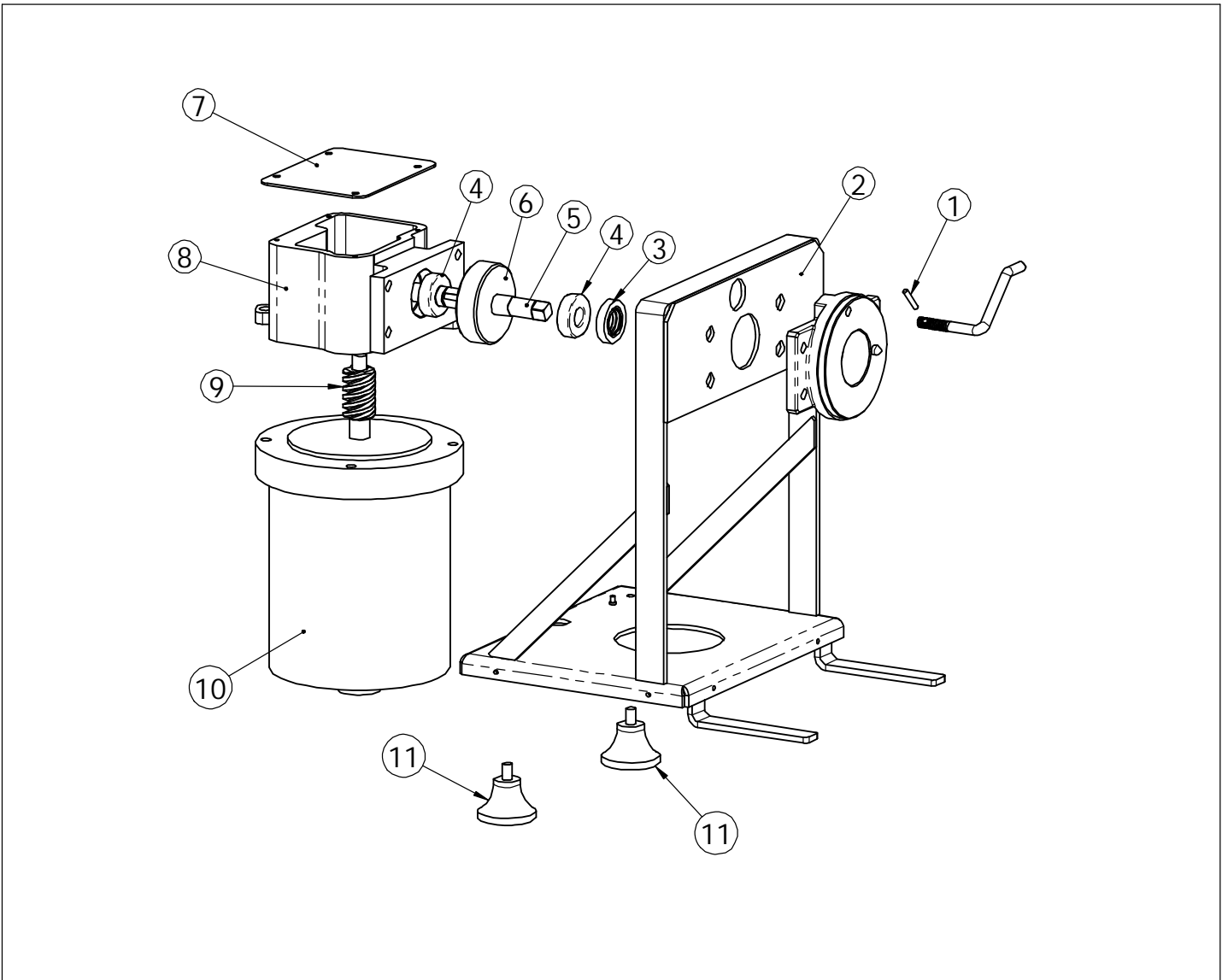




\* STARTING FROM SERIAL No. F04-346 REAR ROD 05-02329 BEFORE 05-02344



ITEM	DESCRIPTION	CODE	QTY.	R.S./100
1	PLASTIC STOMPER	05-02328	1	2
2	TRAY S.S.	05-72373	1	2
3	HEADSTOCK WITH PIN	05-72358	1	2
4 *	FEED SCREW (WORM)	05-72357	1	2
5	KNIFE	03-33112	1	2
6	PLATE	03-41011	1	2
7	HEADSTOCK RING	05-72353	1	2
8	CLAMP	05-72361	1	2
9	CASE AND COVER KIT	05-72362	1	2



ITEM	DESCRIPTION	CODE	QTY	R.S./100
1	ROLL PIN	05-02342	1	2
2	BASE	05-32367	1	2
3	OIL SEAL #5842	05-03262	1	2
4	BEARING #6202-2Z	05-00893	2	4
5	TRANSMISSION SHAFT	05-72356	1	2
6	HELICAL GEAR	05-02318	1	2
7	TRANSMISSION CAP	05-72359	1	2
8	TRANSMISSION BOX	05-72354	1	2
9	WORM GEAR (THREE ENTRIES)	05-33021	1	2
10	MOTOR: 1/3HP	05-00114	1	2
11	RUBBER FOOT	05-03434	1	2