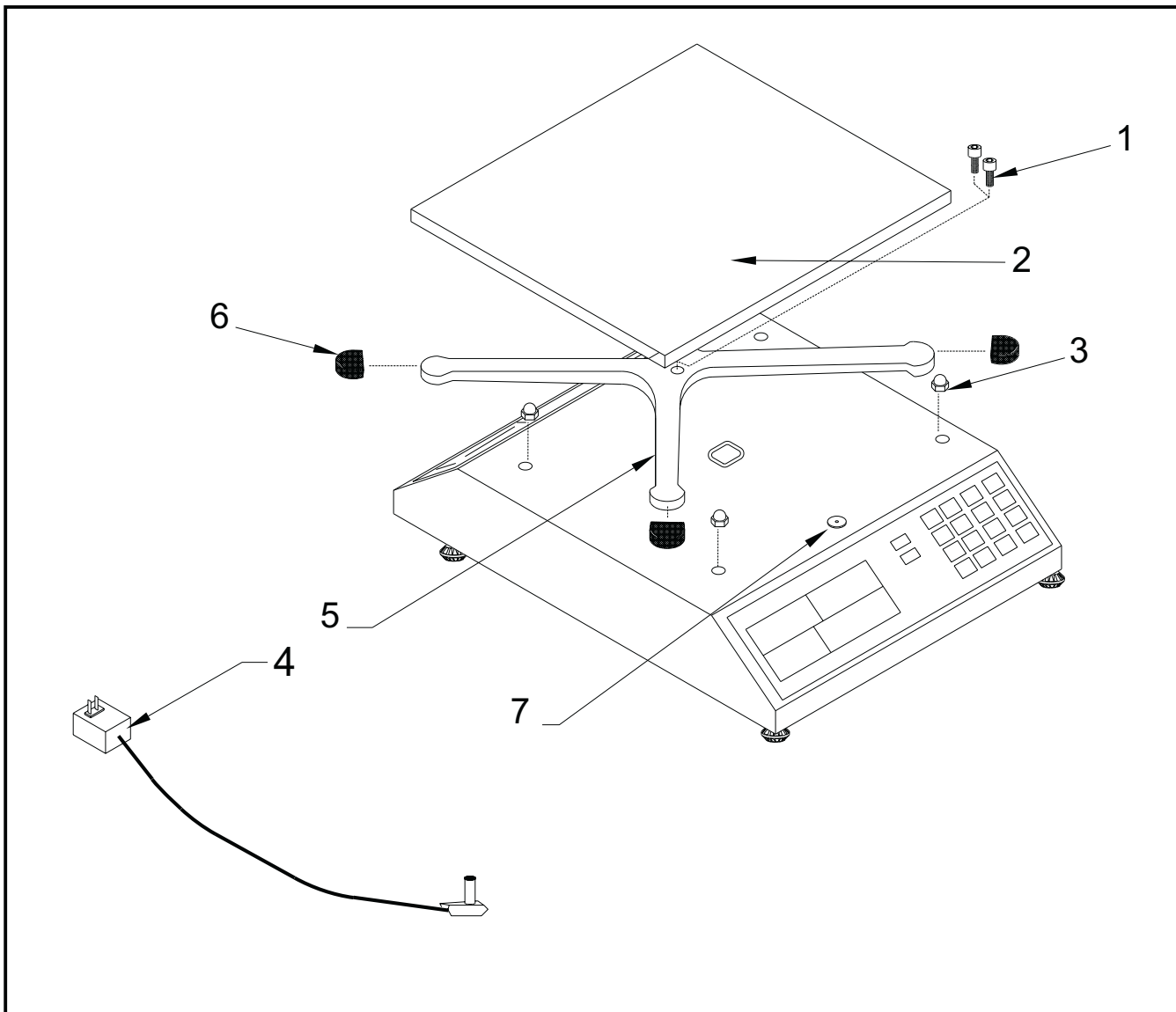


LINE: ELECTRONIC SCALE  
 MODEL: MEQ-20L, MEQ -40L  
 BRAND: TORREY



FROM THE SERIAL NUMBER:101



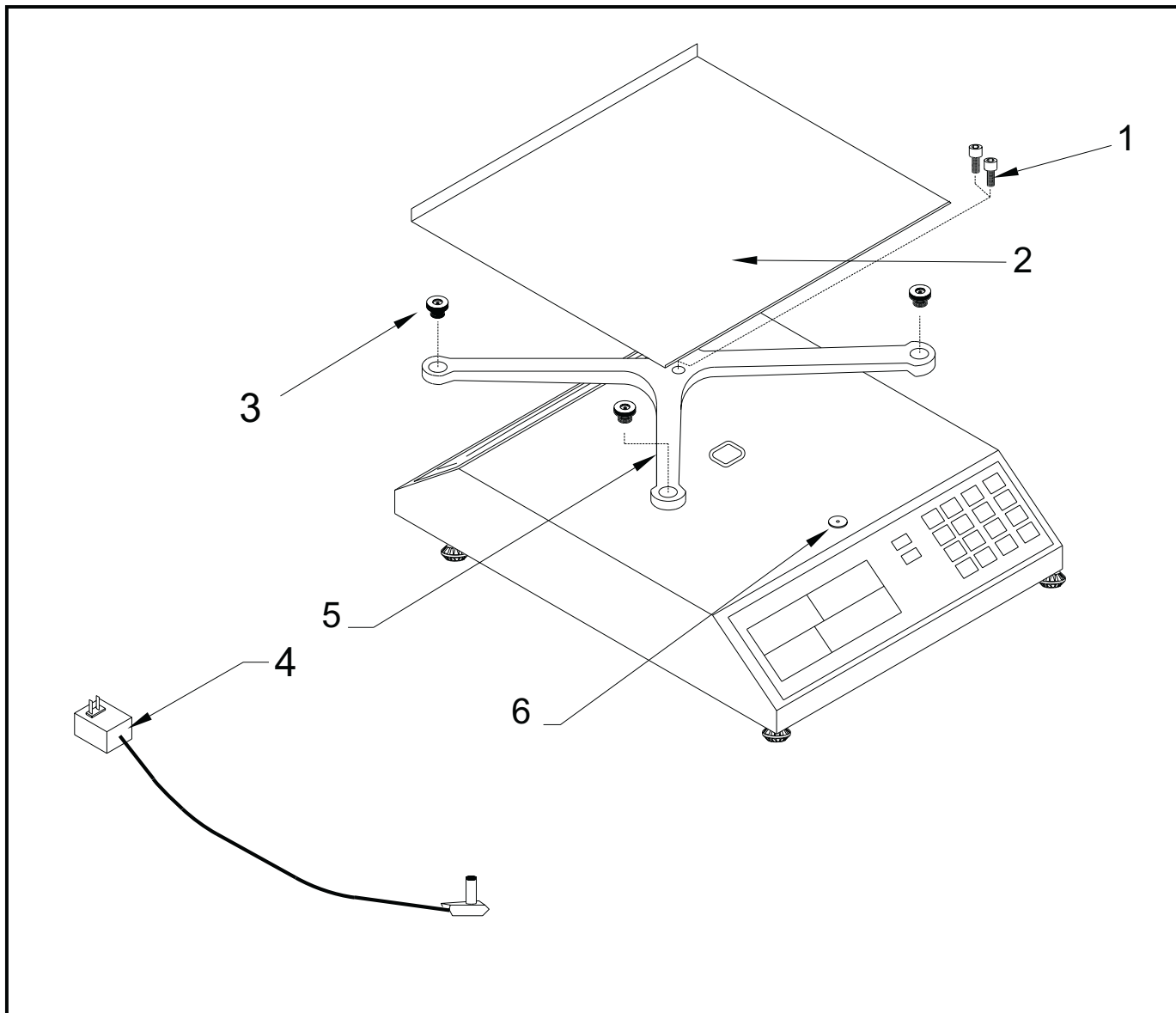
No.	DESCRIPTION	CODE	QTY.	R.S./100
1	1/4 X 1 1/4 SOCKET CAP SCREW GALV.	12100049	2	4
2	EQ/MEQ/MEQT PLATE	36200008	1	2
3	5/32 CAP NUT CHROMED	12100051	4	16
4	AC/DC POWER SUPPLY 9V	21900002	1	2
5	MEQ ALUMINIUM PLATE HOLDER	36100020	1	2
6	E-10 PLATE HOLDER BUMPER	12400022	4	8
7	PLASTIC CIRCULAR LEVEL MODEL "C" ASSEMBLED	46700001	1	2

R.S.= REQUIREMENT STOCK

LINE: ELECTRONIC SCALE  
 MODEL: MEQ-20L, MEQ -40L  
 BRAND: TORREY



FROM THE SERIAL NUMBER:A9306



FROM THE SERIAL NUMBER A9306

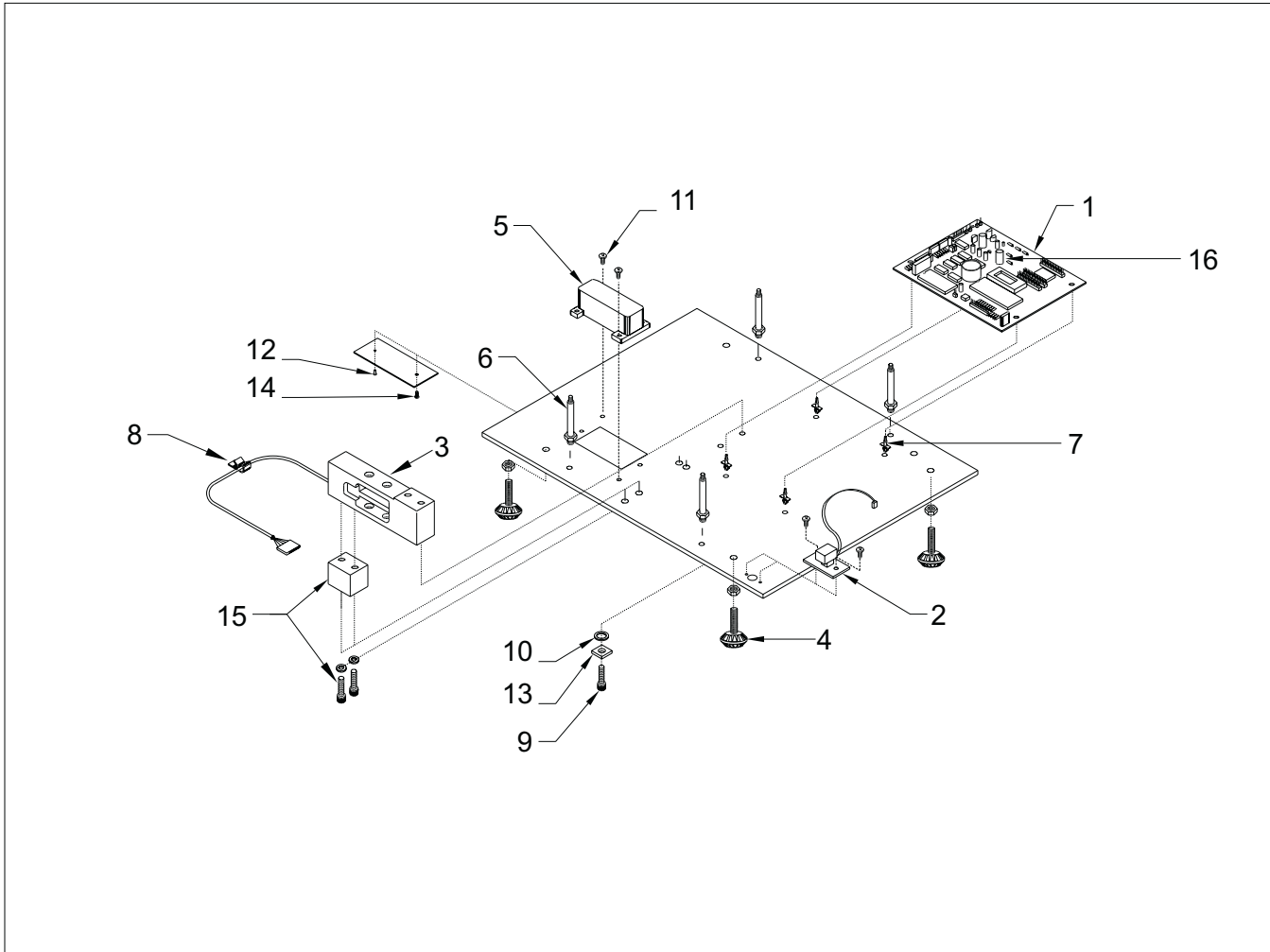
No.	DESCRIPTION	CODE	QTY.	R.S./100
1	1/4 X 1 1/4 SOCKET CAP SCREW GALV.	12100049	2	4
2	EQ/MEQ/MEQT PLATE	36300032	1	2
3	1/8 PLATE HOLDER BUMPER	12400001	4	4
4	AC/DC POWER SUPPLY 9V	21900002	1	2
5	NMEQ ALUMINIUM PLATE HOLDER	56100271	1	2
6	PLASTIC CIRCULAR LEVEL MODEL "C" ASSEMBLED	46700001	1	2

R.S.= REQUIREMENT STOCK

LINE: ELECTRONIC SCALE  
 MODEL: MEQ-8, MEQ-20  
 BRAND: TORREY



FROM THE SERIAL NUMBER:101



No.	DESCRIPTION	CODE	QTY.	R.S./100
1	MASTER BOARD TYPE MFQB	46600072	1	3
2	PLASTIC JACK ASSEMBLED	46600001	1	3
3	WEIGHT SENSOR 10KG/20LB ASSEMBLED	46600077	1	3
4	LEVELING BASE E-10 WITH NUT	36700057	4	12
5	BATTERY COVER	12400021	1	2
6	MEQ 1/4 STUD GALV.	34400009	4	12
7	LOCKING CIRCUIT BOARD SUPP MEQ	22400002	4	4
8	WIRE HARNESS CLAMP	21900001	1	2
9	1/4 x 1 SOKET CAP SCREW GALV.	12100055	1	2
10	INTERNAL TOOTH WASHER	22100002	1	12
11	3/16 x 3/8 ROUND CAP SCREW GALV.	12100001	1	2
12	1/8 X 3/8 RIVET	12100025	1	2
13	1/4 SQR. NUT GALV.	12100036	1	2
14	3/16 x 1/4 ROUND CAP SCREW GALV.	12100009	1	2
15	FITTING KIT 1041 MEQ SCALE	36700008	1	2
16	RECORDING PROGRAM MEQ-20L, MEQ-40L	20700043	1	2
3	FOR MEQ-40L MODEL WEIGHT SENSOR 20KG/40 LB ASSEMBLED	46600010	1	3

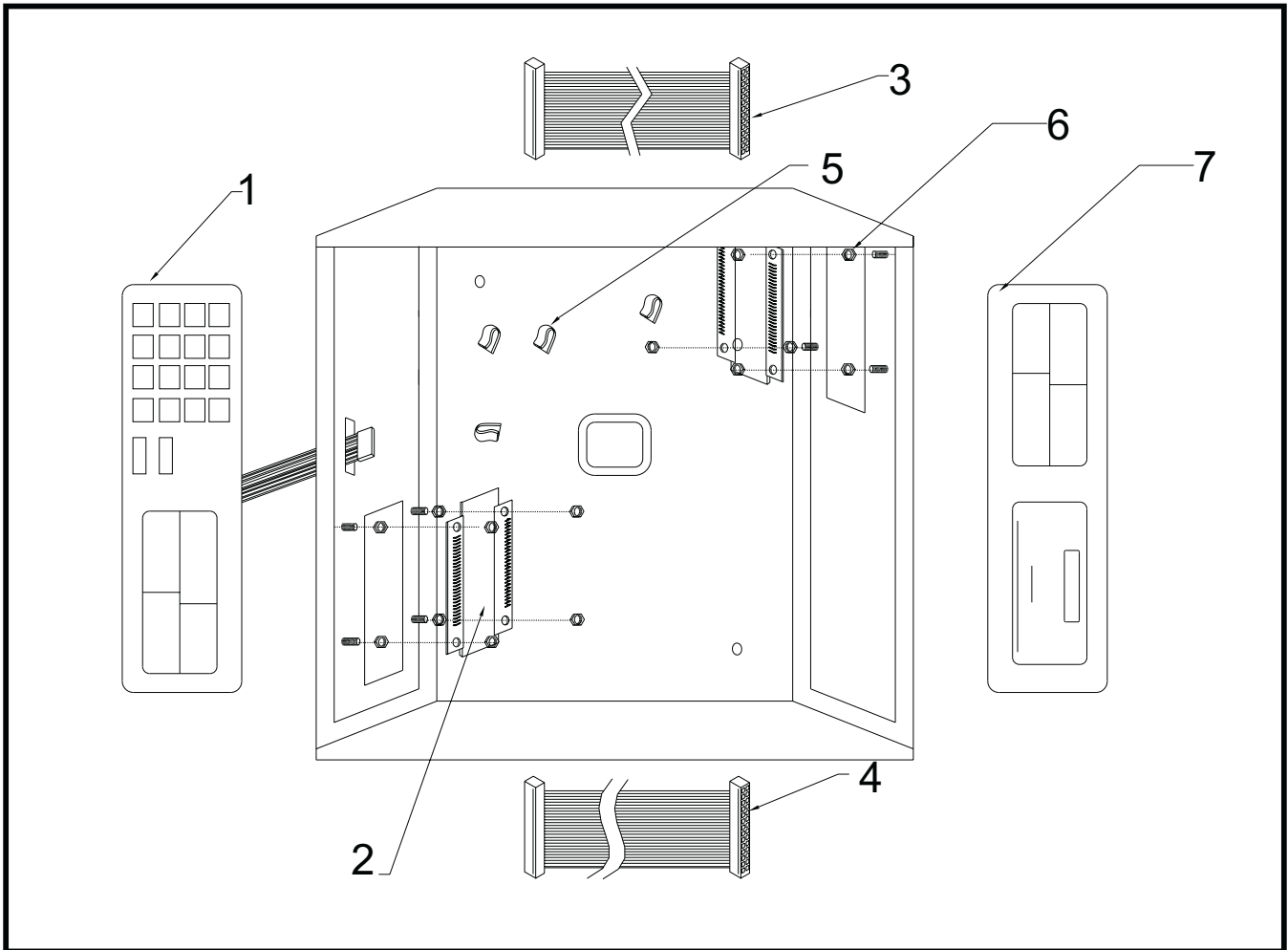
R.S.= REQUIREMENT STOCK

LINE: ELECTRONIC SCALE

MODEL: MEQ-20L, MEQ-40L

BRAND: TORREY

FROM THE SERIAL NUMBER:  
B8229 (MEQ-20L), B8301 (MEQ-40L)



NO.	DESCRIPTION	CODE	QTY.	R.S./100
1	MEMBRANE SWITCH MEQ	20200019	1	2
2	DISPLAY MEQ W/B.L.	46600006	2	4
3	DISPLAY MEQ UPPER HARNESS	46600064	1	2
4	DISPLAY MEQ LOWER HARNESS	46600065	1	2
5	WIRE HARNESS CLAMP	21900001	4	8
6	8-32 PLASTIC HEX NUT	22400001	16	32
7	OVERLAY MEQ-20L	21900088	1	2
7	OVERLAY MEQ-40L	21900090	1	2

FROM THE SERIAL NUMBER B8229 (MEQ20L)  
B8301 (MEQ40L)

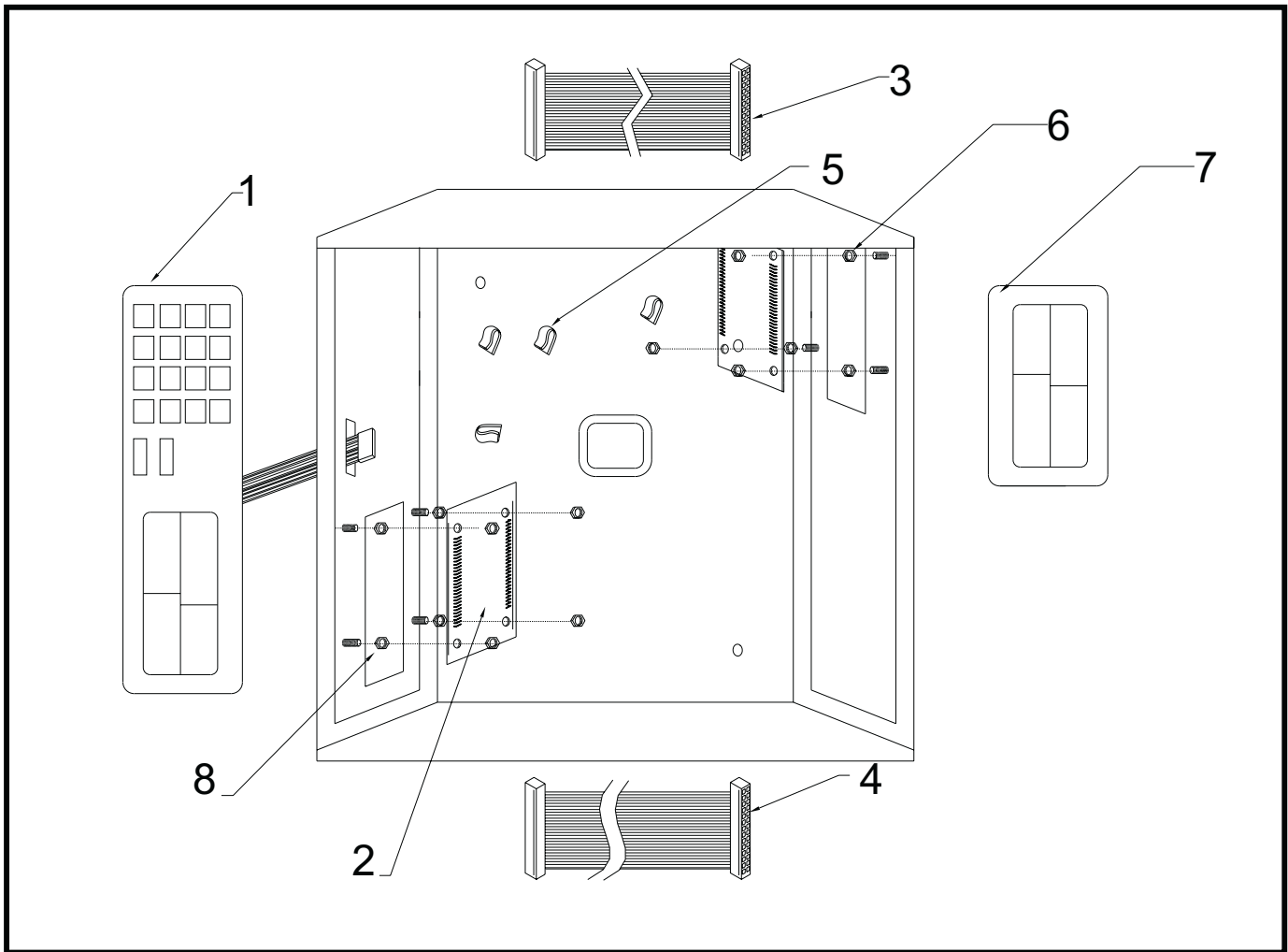
2	DISPLAY MEQ W/B.L. E.L.	46600065	2	4
---	-------------------------	----------	---	---

R.S.= REQUIREMENT STOCK

LINE: ELECTRONIC SCALE  
 MODEL: MEQ-20L, MEQ-40L  
 BRAND: TORREY



FROM THE SERIAL NUMBER:A9306



FROM THE SERIAL NUMBER A9306

NO.	DESCRIPTION	CODE	QTY.	R.S./100
1	MEMBRANE SWITCH NMEQ-20L	20200044	1	2
1	MEMBRANE SWITCH NMEQ-40L	20200045	1	2
2	DISPLAY NMEQ W/B.L.	46600371	2	4
3	DISPLAY MEQ UPPER HARNESS	46600064	1	2
4	DISPLAY MEQ LOWER HARNESS	46600065	1	2
5	WIRE HARNESS CLAMP	21900001	4	8
6	8-32 PLASTIC HEX NUT	22400001	16	32
7	OVERLAY NMEQ-20L	21900352	1	2
7	OVERLAY NMEQ-40L	21900090	1	2

R.S.= REQUIREMENT STOCK