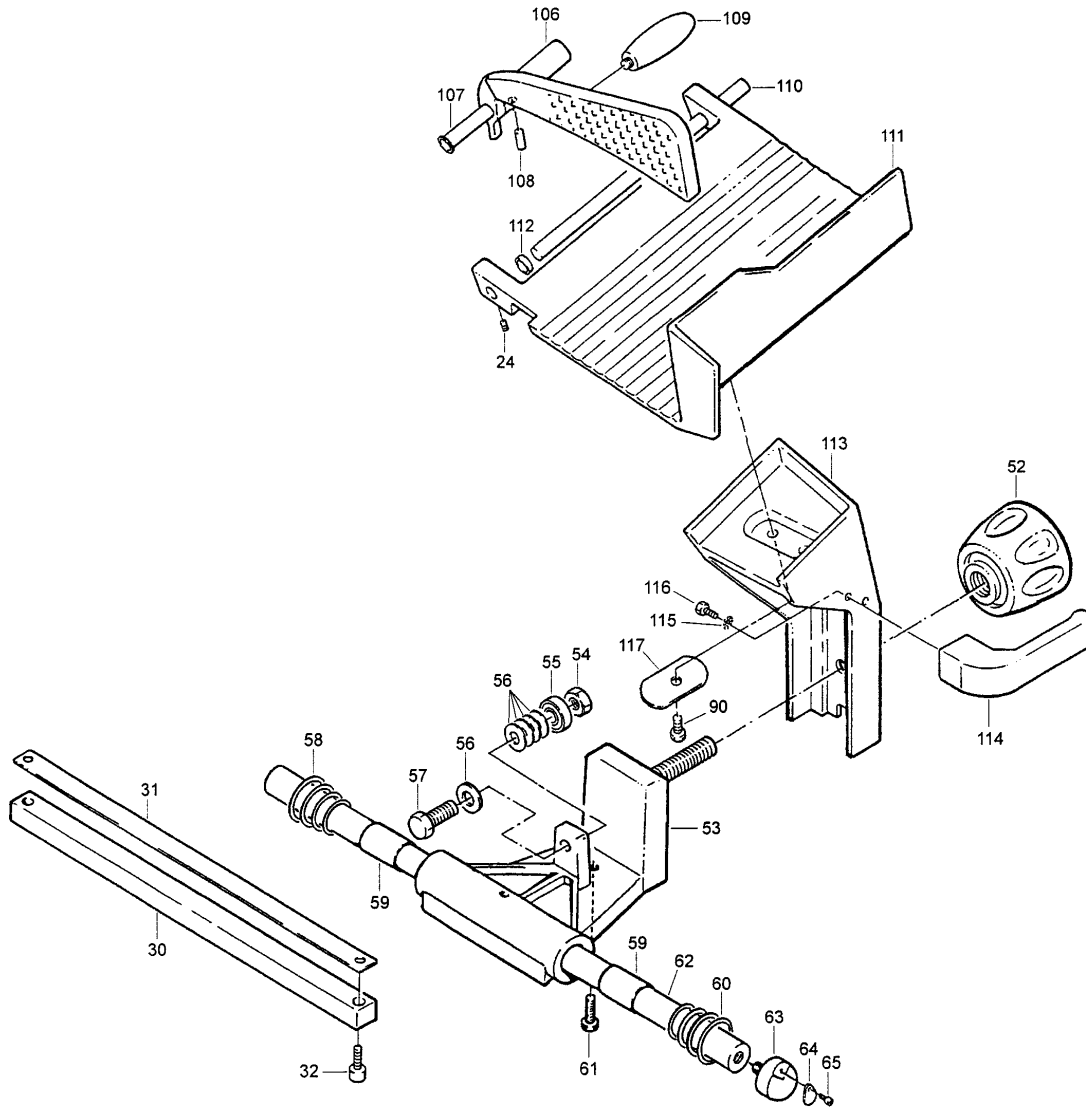


# 827A

## Exploded Views

Beginning with Date Code 0102  
(Located on the serial plate)

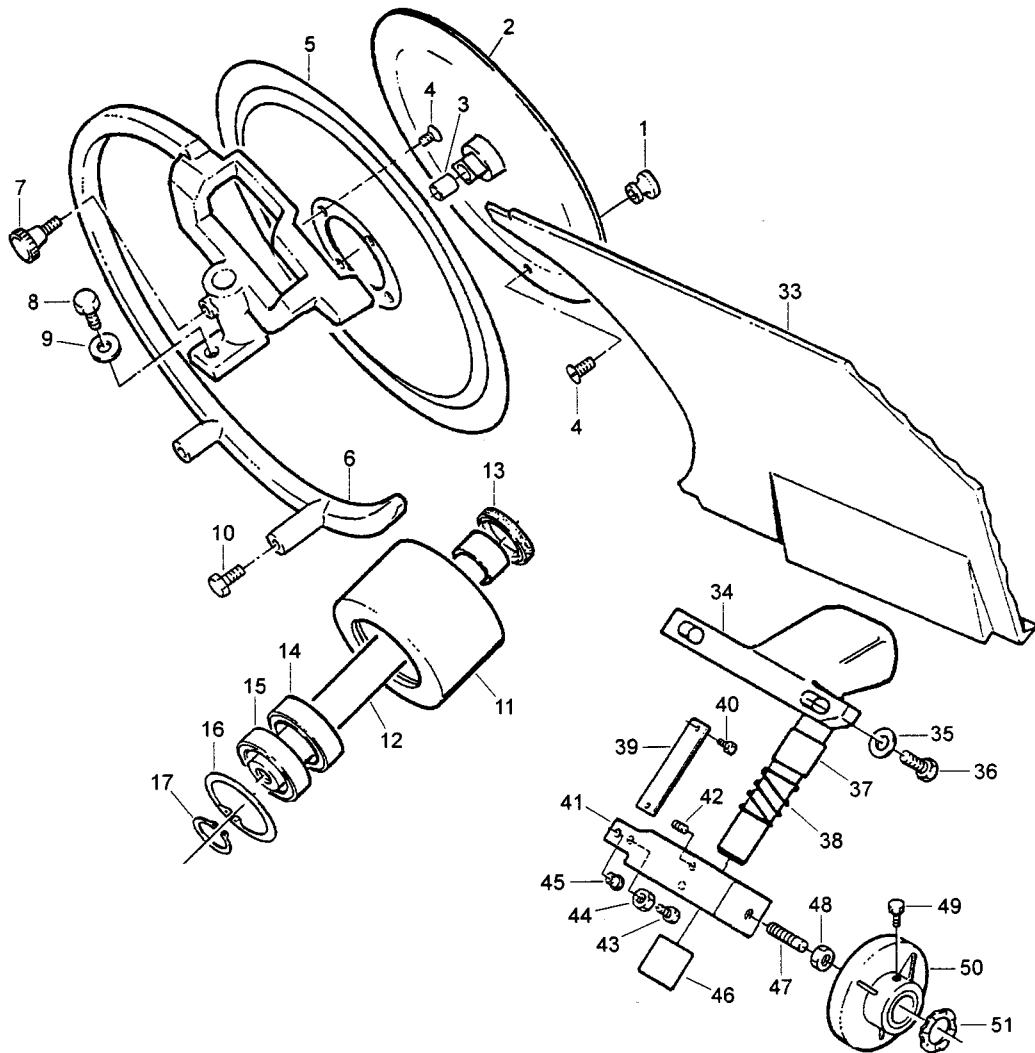
# MEAT TABLE AND CARRIAGE ASSEMBLY



# Meat Table and Carriage Assembly

ITEM	DESCRIPTION	PART NUMBER
24	Grub Screw	827-00086
30	Square Rail	827A-00014
31	Plate	827-00092
32	Screw	827-00021
52	Knob, Carriage	827A-00040
53	Carriage Assembly Complete	827-00012
54	Nut	827-00130
55	Bearing	827-00015
56	Spacer	827-00016
57	Screw	827-00017
58	Spring, Long	827-00020
59	Bushing	827-00218
60	Spring, Short	827-00020
61	Nylon Screw	827-00129
62	Round Rail	827-00013
63	Oil Screw	827-00099
64	Oil Plate	827-00097
65	Rivet	827-00096
90	Screw	825-00122
106	Pusher, Complete	827A-00009
107	Bushing	827-00079-N
108	Wearing Pad	827-00082
109	Handle, Pusher	827-00080
110	Shaft	827-00084
111	Product Table	827-00008-N
112	Nylon Spacer	827-00400
113	Product Table Support	827A-00007
114	Handle, Carriage	827A-00037-A
115	Washer	2101-08515
116	Screw	825-00089
117	Plate	827-00131

# KNIFE AND GAUGE PLATE ASSEMBLY



# Knife and Gauge Plate Assembly

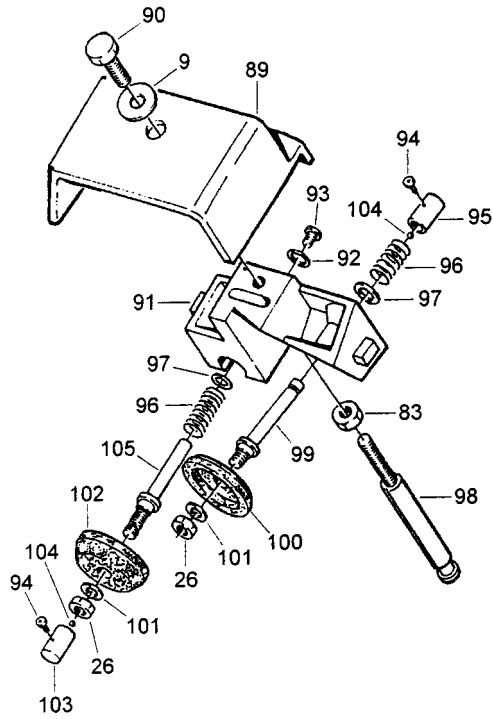
ITEM	DESCRIPTION	PART NUMBER
1	Aluminum Knob	823-00403
2	Center Plate	827-00402
3	Insert, Center Plate	827-00135
4	Screw, Knife	827-00074
5	Knife	827-00073
6	Ring Guard	827E-00408
7	Knob	827-00103-A
8	Screw	825-00101
9	Washer	823-00123
10	Screw	825-00087
11	Pulley Assembly	827A-00067-1
12	Pulley Shaft	Part of #11
13	Rubber Ring	827-00209
14	Bearing	2375-00103
15	Bearing	2375-00103
16	Circlip	825-00071
17	Circlip	825-00072
33	Gauge Plate	827A-00003-1
34	Gauge Plate Support	827A-00022-1
35	Washer	3301-03812
36	Screw	825-00005
37	Bushing	827-00219
38	Spring	827A-00024
39	Plate	827-00026
40	Screw	827-00032
41	Support, Complete	827A-00022
42	Grub Screw	827-00031
43	Screw, Brass	827-00028
44	Nut	827-00029
45	Nylon Pin	825-00030
46	Bushing	827-00219
47	Cam Pin	827-00027
48	Nut	827-00033
49	Screw	825-00021
50	Index Cam	827-00025
51	Washer	825-00095



# HOUSING AND ELECTRICAL

ITEM	DESCRIPTION	PART NUMBER
9	Washer	823-00123
18	Housing	N/A
19	Slice Deflector	827-00011
20	Knob, Slice Deflector	827A-00091
21	Grub Screw	827-00078
22	Screw	827-00050
23	Grub Screw	823-00061
24	Grub Screw	827-00086
25	Tie Rod, Center Plate	827A-00075-A
26	Nut	827-00146
27	Grub Screw	827-00086
28	Rubber Foot	827-00093
29	Index Knob	827-00035-A
44	Nut	827-00029
48	Nut	827-00033
66	Power Cord	4175-00031
67	Screw	827A-00400
68	Knob, Switch	827A-00036-2
69	Screw	827A-00401
70	Plate, Switch	827A-00039-B02
71	Switch, Complete	827A-00039-2
72	Pilot Light	825-00041
73	Cord Clamp	3675-00224
74	Spacer	825-00407
75	Screw	825-00032
76	Plate, Capacitor	825-00043
77	Capacitor	827-00042
78	Cover	825-00405
79	Washer	825-00006
80	Screw	825-00021
81	Screw	827-00058
82	Plate, Motor	825-00055
83	Nut	2101-07041
84	Tie Rod, Motor	827A-00053
85	Screw	827-00062
86	Motor	827A-00048
87	Screw	827A-00060
88	Ribbed Belt	827-00066-B
118	Cord Clamp	827-00127

# SHARPENER ASSEMBLY



# Sharpener Assembly

ITEM	DESCRIPTION	PART NUMBER
9	Washer	823-00123
26	Nut	827-00146
83	Nut	2101-07041
89	Cover, Sharpener	825A-00010
90	Screw	825-00122
91	Sharpener Frame	825-00108
92	Washer	823-00114
93	Screw	S-00781
94	Screw	825-00118
95	Push Button	823-00401
96	Spring	825-00117
97	Washer	3301-03812
98	Shaft, Sharpener	827A-00104
99	Shaft	825-00109
100	Stone	825-00111
101	Washer	3301-03812
102	Stone	825-00112
103	Push Button	825-00115
104	Ball, 1/8	2375-00150
105	Shaft	825-00110
N/S	Berkel Flag	I2062RED
N/S	Screw for Berkel Flag	V6371
N/S	Sharpener Assembly w/Cover	827A-00130

# Rotary Switch Wiring

